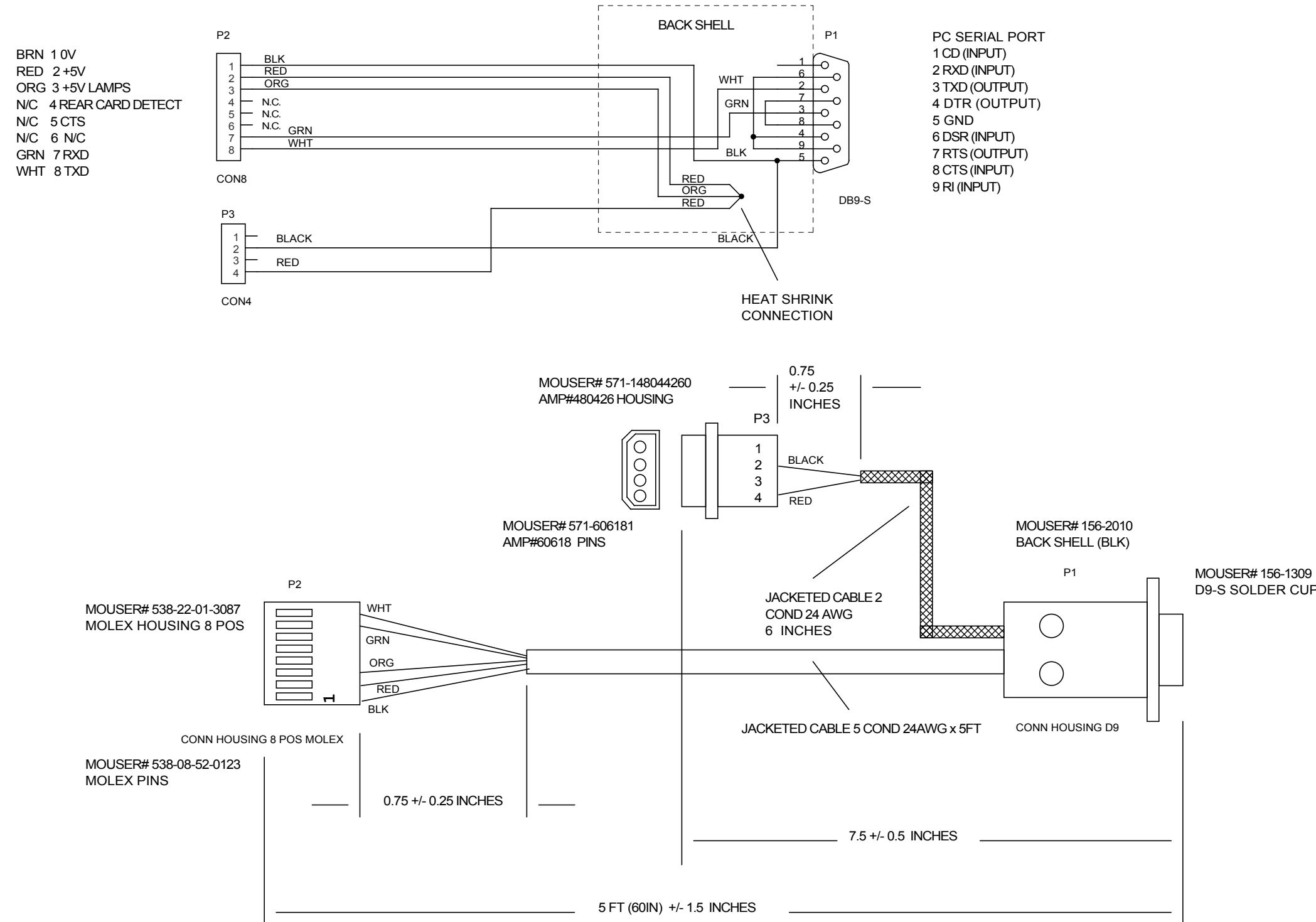


CONFIDENTIAL

This drawing contains information which is proprietary and the property of XS Technology, Inc. and may not be used in whole or in part for any purpose without the express written consent of XS Technology, Inc.



MLK
3/10/05
LAST REV:

XS Technology Inc.		
Title CABLE ASSY , RSA TO D9S		
Size	Document Number	Rev
		XS1091 A
Date:	Sheet	1 of 1