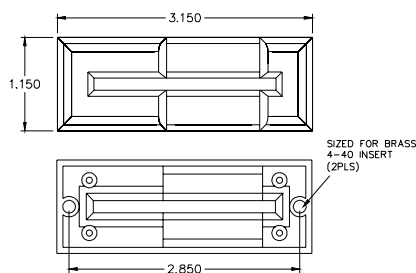
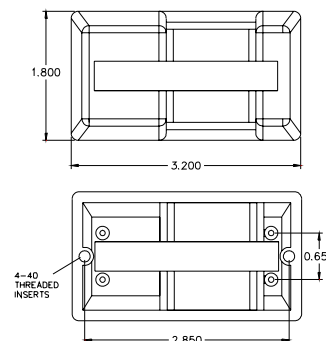


Full Insertion Magstripe Reader**Features**

- Reads bank issued credit cards
- TTL ASCII interface
- Compact mounting design
- Reads tracks one and two
- Front and rear card detects
- Open slot architecture
- Entry slot illumination
- Easily customized

**Model FI 10-120-TLA with XS1050 bezel****Specifications**

Interface:	TTL ASCII 9600 Baud, 8 Bits, 2 Stop, No Parity
Read Direction:	Insertion and/or withdrawal
Tracks:	Both ISO tracks 1 and 2
Read Speed:	3ips - 45ips
Card Thickness:	10mils - 45mils
Connector:	Series 'B' receptical
Dimensions:	Length: 3.5in. Width: 4.0in. Height: 1.4in. approx.
MTBF:	Electronics: 100,000 hours Head Life: 500,000 minimum
Environment:	Operating Temp.: 0°C - 50°C Storage Temp.: -20°C - 70°C Operating Humidity: 8%-95% Storage Humidity: 5% -95%

Bezel Selection**XS1042****XS1090 STANDARD**

√ custom bezels and colors available

Model FI10-120-TLA

Model FI10-120-TLA is a full insertion magnetic stripe card reader with a TTL ASCII interface. The unit is designed to read tracks 1 and 2 of encoded data on bank issued credit and financial cards. The encoded data can be read on insertion, withdrawal, or both. Direct optical front and rear card detects are standard. Mechanical front and rear card detects are available. This card reader is the industry standard for kiosks, vending machines, and gas pumps.

Unique Features

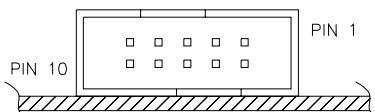
The reader uses an **inventive ball and optical combination for front and rear card detects** (option). This feature allows the reader to operate normally when translucent cards are used.

The reader's **card slot is illuminated** with super bright leds for easy identification in dimly lit locations such as casinos, arcades, bars, and night clubs. The reader's leds can be flashed on and off to alert the cardholder.

Open back architecture allows for coins and other unwanted debris to easily be pushed out the rear of the unit.

Pin Assignment

2x4 10 pin

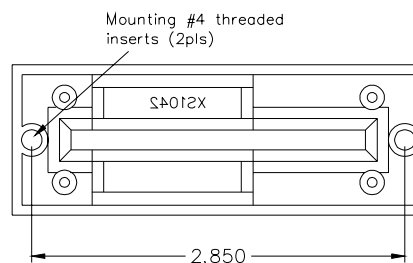
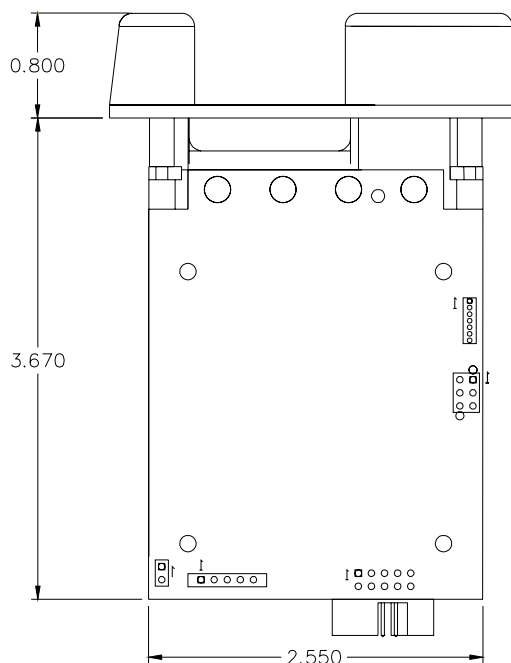
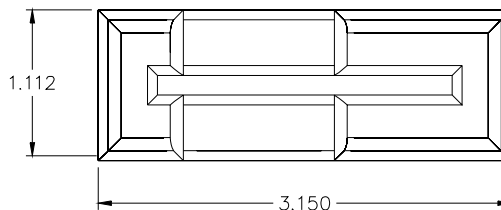


PIN	SIGNAL	
1	-RESET	HW reset (In)
2	TXD	Transmit Data (Out)
3	RXD	Receive Data (In)
4	-RTS	Request To Send (Out)
5	-CTS	Clear To Send (In)
6	-FCD	Front Card Detect (Out)
7	GND	Rear Card Detect (Out)
8	+5V	Power for LEDs
9	GND	
10	+5V	Logic power

Power Requirements

Voltage:	5V DC +/-10%
Current	
Reader:	50mA max.
Lamp:	85mA typ.

Dimensions



XS1042 BEZEL